



TECHNICAL SPECIFICATION SHEET

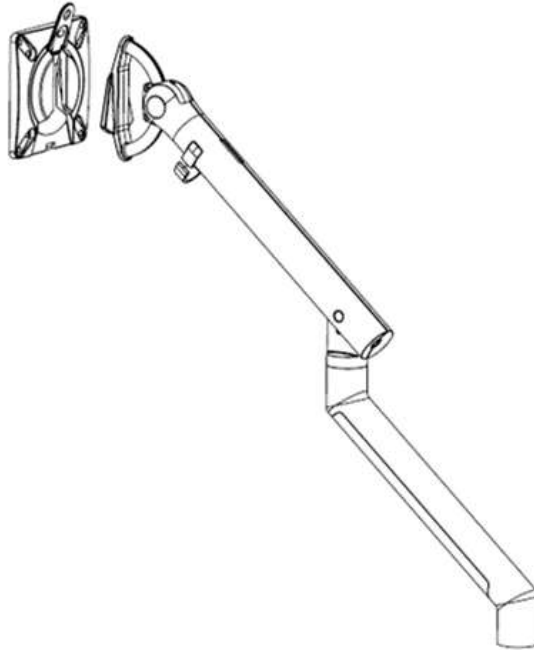
PRODUCT NAME: Flo Dynamic Monitor Arm

PRODUCT CODE: DYN/013/010

Doc Rev 5.

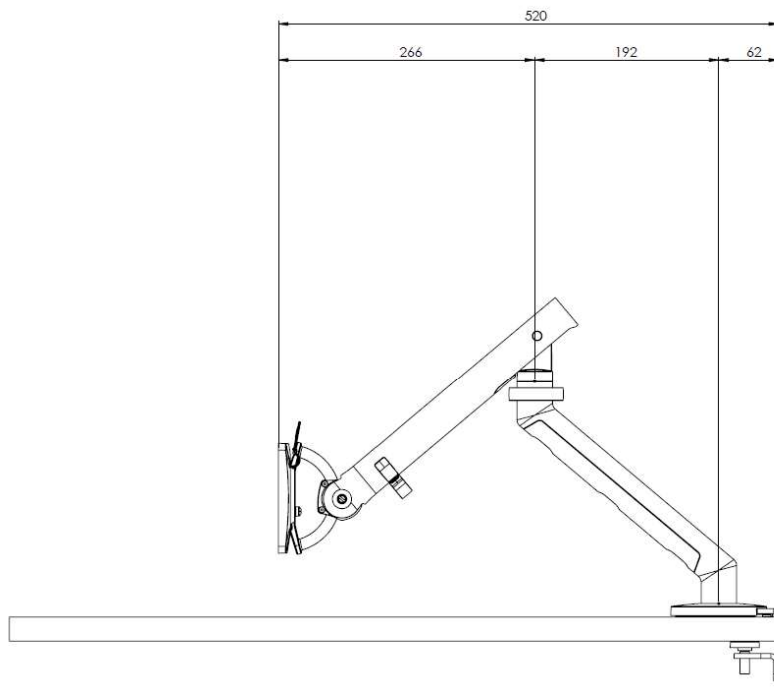
Product Rev: #G

03.02.20. CF

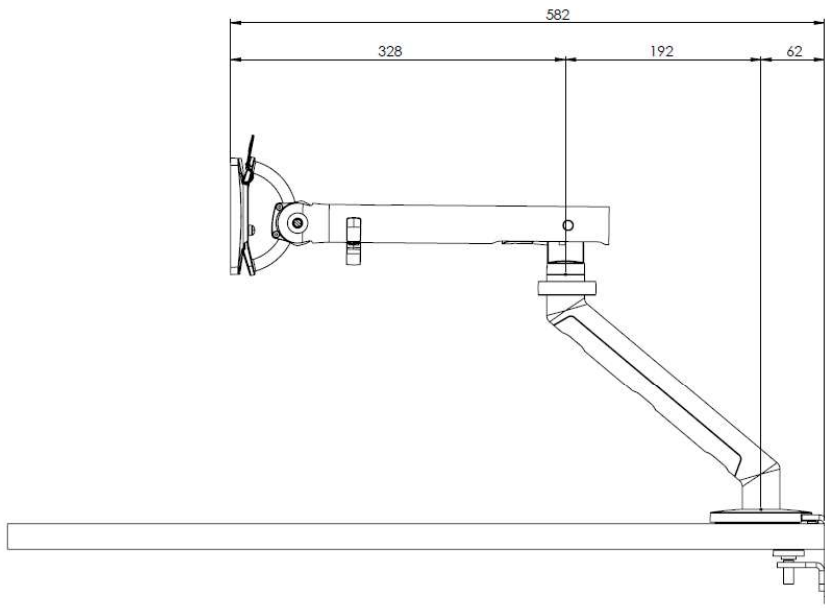


Maximum Reach Dimensions

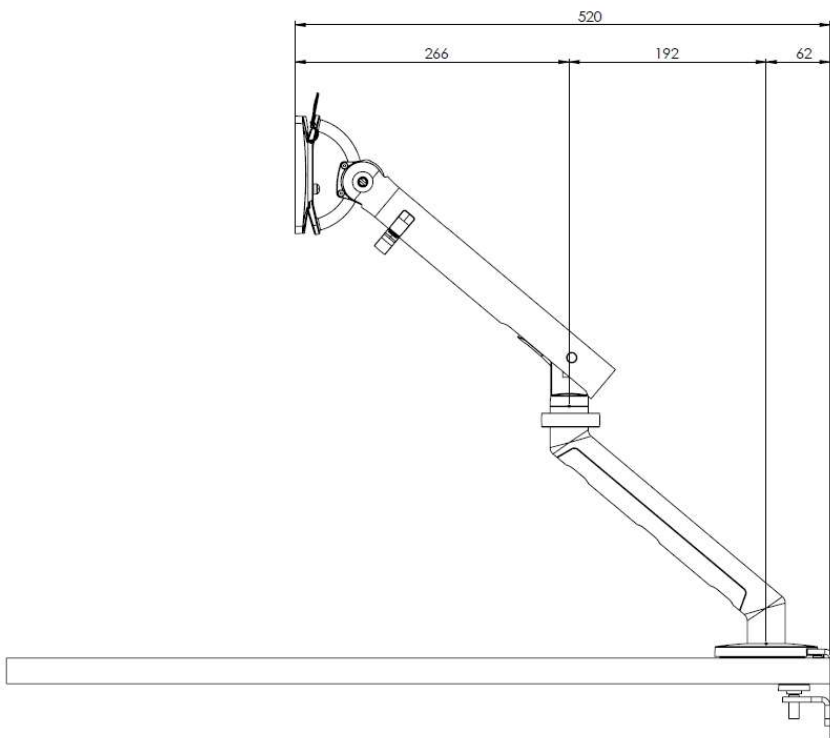
Lowest Position



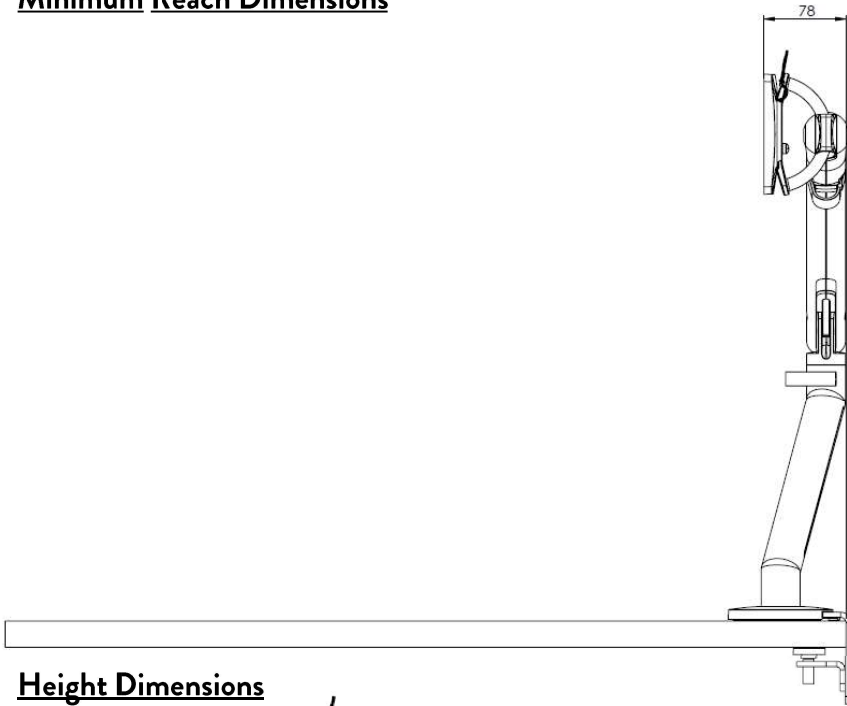
Mid Position



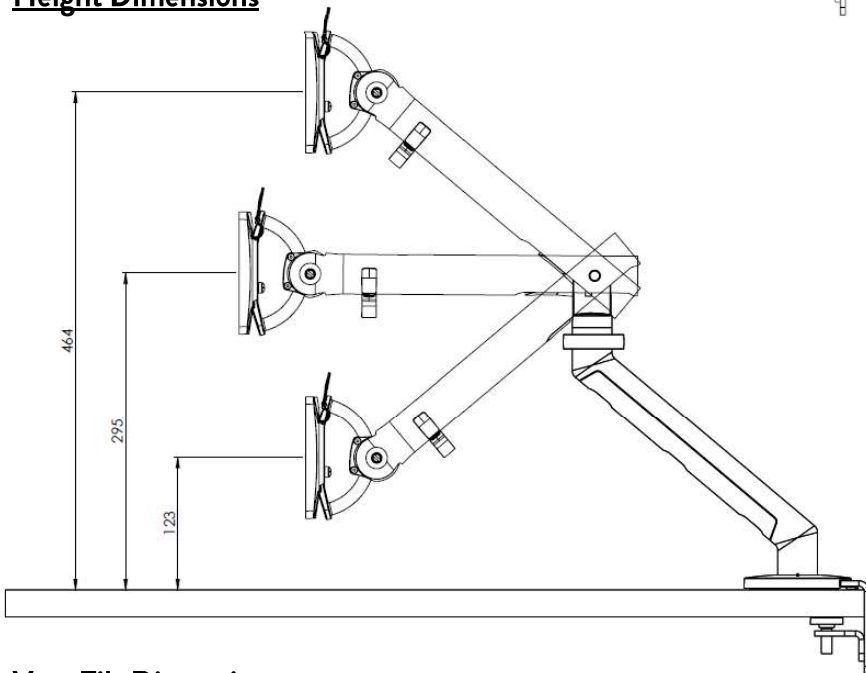
Highest Position



Minimum Reach Dimensions



Height Dimensions



Vesa Tilt Dimensions

